



Bank Note Paper Mill India Private Limited
Registered & Corporate office: Paper Mill Compound,
Entry Gate 1, Note Mudran Nagar,
Mysore-570003
CIN: U21090KA2010PTC055475.

Standard Biding Document (SBD)

Not Transferable

Tender Document for . **Supply of Angle Board (Edge Protector).**

e-Tender No. BNPM/TEN/Angle Board/366/2017-18 dtd 24-01-2018

The Tender Document contains 39 Pages

The Tender Document is sold to

| |
|---------------------------|
| M/s |
| Address |

Details of Contact person in BNPM regarding this tender

Name: Shri. Alok Kumar

Designation: Deputy General Manager

Address Administrative office Building,
Entry Gate 1, Paper Mill Compound,
Note Mudran Nagar,
Mysore . 570003, Karnataka, India
Phone 0821-2401111
Email info@bnpmindia.com
Website: www.bnpmindia.com





CONTENTS – STANDARD BIDDING DOCUMENT

| Section No | Section | Description |
|------------|-----------------------------------|---|
| I. | BNPM/TEN/Angle Board /366/2017-18 | Notice Inviting Tender (NIT) |
| II. | GIT | General Instructions to Tenderers |
| III. | SIT | Special Instructions to Tenderers |
| IV. | GCC | General Conditions of Contract |
| V. | SCC | Special Conditions of Contract |
| VI. | LOR | List of Requirements |
| VII. | TS | Technical Specifications |
| VIII. | QCR | Quality Control Requirements |
| IX. | QC | Qualifying/ Eligibility Criteria |
| X. | TF | Tender Form/ Acceptance of Terms & Conditions |
| XI. | PS | Price Schedule |
| XII. | QUEST | Questionnaire |
| XIII. | BG-EMD | Bank Guarantee Form for EMD . Not Applicable |
| XIV. | MAF | Manufacturer's Authorization Form . Not Applicable |
| XV. | BG-PS | Bank Guarantee Form for Performance Security |
| XVI. | CF | Contract Form - Not Applicable |
| XVII. | LOA | Letter of Authority for attending Bid Opening - Not Applicable |
| XVIII. | SA | Shipping Arrangements for Liner Cargoes . Not Applicable |
| XIX. | PBP | Proforma of Bills for Payments - Not Applicable |
| XX. | APQ | Application-Pre-Qualification |
| XXI. | ACW | Additional Conditions of Works Contract . Not Applicable |
| XXII. | IP | Proforma for Integrity Pact - Not Applicable |



NIT**BANK NOTE PAPER MILL INDIA PRIVATE LIMITED**

SECTION: I

NOTICE INVITING TENDER

SHEET 1 OF 3

BANK NOTE PAPER MILL INDIA PRIVATE LIMITEDPaper Mill Compound, Note Mudran Nagar
Mysore-570003

Tele: 0821-2401 111 ; Fax No : 0821-2581 154

Email info@bnpmindia.com, website: www.bnpmindia.com

(Name, address, telephone no., Fax, e-mail, website etc. of the Unit)

BNPM/TEN/Angle Board/366/2017-18 dtd 24-01-2018

1. Bidders satisfying the technical and commercial conditions specified in the bid and ready to supply the mentioned products in conformity with the Scope of Supply and Technical specification provided in NIT and terms and conditions stipulated herein may submit their commercial quotes as specified in the format of the document. **The closed quote should be submitted electronically only on the BNPM e-Tendering Portal www.tenderwizard.com/BNP within the time.**
2. Tenders are invited in two parts (Techno-commercial & Financial) from eligible and qualified tenderers for supply of following Goods:

| S.No | Brief Description of Goods/ Services | Qty With units | Earnest Money Deposit* |
|------|--|----------------|--|
| 1 | Supply of Angle Board (Edge Protector) | 1,75,000 | 33,000/- (INR Thirty Three Thousand only) |

*The tenderers who are currently registered and, also, will continue to remain registered during the tender validity period with DGS&D or with National Small Industries Corporation, New Delhi /MSME are exempted from payment of earnest money. In case the tenderer falls in these categories, it should furnish certified copy of its valid registration details (with DGS&D or NSIC or MSME as the case may be).

| | |
|--|---|
| Tender Number | BNPM/TEN/Angle Board/366/2017-18 dated: 24-01-2018 |
| Type of Tender (Two Bid/PQB/EOI Etc.) | Two Bid |
| Details of Sales of tender Documents | |
| Price of the tender Documents | Rs. 1,000/- + Taxes |
| Bid Submission Mode | Through e-tendering portal www.tenderwizard.com/BNP |
| Closing date and time for submission of bids along with supporting documents through e-tendering portal. | 13-02-2018 1500 hours. |

3. Interested tenderers may obtain further information about this requirement from the above office selling the documents. They may also visit our website www.tenderwizard.com/BNP mentioned above for further details.



| | | |
|------------|---|--------------|
| NIT | BANK NOTE PAPER MILL INDIA PRIVATE LIMITED | SECTION: I |
| | NOTICE INVITING TENDER | SHEET 2 OF 3 |

4. Non-refundable Tender fee is Rs. 1,000/- per set plus applicable taxes. The payment shall be made through Electronic mode only.
5. Aspiring Bidders/Contractors who have not registered in e-tendering should register through the website E - Tendering (www.tenderwizard.com/ BNP) for participating in the Online Tenders. The registration charges will be Rs. 1,500/- plus applicable taxes (per year) which needs to be paid through electronic mode only.
6. For details, registration and e-payment, please visit e-tendering website www.tenderwizard.com/BNP or contact e-tendering Helpdesk at 080-49352000 / 09686115324 / 09686196756
7. The NIT Form with standard tender documents will be accessible in the e-Tendering website (viz www.tenderwizard.com/BNP).
8. Class III Digital Signature Certificate (DSC) is mandatory to participate in e-Tenders. Participating bidders/Contractors have to make sure that they have the valid DSC. If not, they can procure from any of the RAs approved by CCA.
9. Bidders/Contractors should upload and attach all the Scanned copies of technical documents / certificates in e-tendering website www.tenderwizard.com/BNP pertaining to their eligibility criteria mentioned in the NIT, failing which, the bid will not be considered.
10. For those tenderers whose technical bids do not satisfy the eligibility criteria, their financial Bids will not be opened.
11. The tender shall contain two bid systems each of whose contents shall be as follows.

Prequalification Bid & Techno-commercial Bid should consist of clearly visible scanned copy of:

- i) Bid forwarding letter.
- ii) Power of Attorney in favour of the person who has signed the bid on stamp paper of appropriate value.(Rs.100/- non-judicial stamp paper)
- iii) Documents to establish conformity with Bidder's Qualification / Eligibility criteria.
- iv) ESIC, PAN details, service tax / VAT registration certificate, Scheduled bar chart, proposed organization chart.
- v) Earnest Money Deposit (To be paid through electronic mode / Bank Guarantee only)
- vi) Deviations from GCC, SCC, SIT, GIT
- vii) Schedule of deviations to technical specifications separately
- viii) Technical details / documents specified in technical part
- ix) Blank copy (Without price) of Schedule of price duly signed & stamped on each page



| | | |
|------------|---|--------------|
| NIT | BANK NOTE PAPER MILL INDIA PRIVATE LIMITED | SECTION: I |
| | NOTICE INVITING TENDER | SHEET 3 OF 3 |

The bidder should submit the “Prequalification Bid & Techno-Commercial bid” in e-tendering portal.

Financial Bid shall contain.

- i) Schedule of Prices duly filled in.

The bidder should submit the- “Financial Bid” in e-tendering portal.

12. Tenderers shall ensure that their tenders, duly sealed and signed, complete in all respects as per instructions contained in the Tender Documents, should be uploaded in e-tendering portal (www.tenderwizard.com/BNP) only.

13. In the event of any of the above mentioned dates being declared as a holiday / closed day for the purchase organisation, the tenders will be sold / received / opened on the next working day at the appointed time.

14. The tender documents are not transferable.

Yours Faithfully,

(Alok Kumar)
Deputy General Manager



GIT

BANK NOTE PAPER MILL INDIA PRIVATE LIMITED

SECTION: II

GENERAL INSTRUCTIONS TO TENDERERS

SHEET 1 OF 1

Section II: General Instructions to Tenderers (GIT)

This section-II shall be downloaded from website: www.bnpmindia.com under the section %Corporate Actions+ and signed & stamped and submitted along with the Techno-Commercial Bid . Part II as acceptance of terms and conditions. ***(Offer without the copies of section-II shall liable to be rejected).***



ISSUE
Rf

The following Special Instructions to Tenderers will apply for this tender. These special instructions will modify/substitute/supplement the corresponding General Instructions to Tenderers (GIT) incorporated in tender. The corresponding GIT clause numbers have also been indicated in the text below: In case of any conflict between the provision in the GIT and that in the SIT, the provision contained in the SIT shall prevail.

| SI No | GIT Clause No | Topic | Substitution / Replaced by |
|-------|---------------|-----------------------|----------------------------|
| 1. | 12.5 and 12.6 | Tender Prices | 1.0 |
| 2. | 18 | Earnest Money Deposit | 2.0 |
| 3. | 19.1 | Tender Validity | 3.0 |
| 4. | 35.0 | Evaluation Criteria | 4.0 |

1. TENDER PRICES:

Tenderer shall quote strictly in INR and as per the attached price schedule. The quoted prices should be inclusive of all taxes & duties.

2. EARNEST MONEY DEPOSIT:

EMD amount should be paid through electronic mode i.e through internet banking, credit card, debit card, etc and also through Bank Guarantee.

The tenderers who are currently registered and, also, will continue to remain registered during the tender validity period with DGS&D or with National Small Industries Corporation, New Delhi /MSME are exempted from payment of earnest money. In case the tenderer falls in these categories, it should furnish certified copy of its valid registration details (with DGS&D or NSIC or MSME as the case may be).

3. TENDER VALIDITY

Bids shall remain valid for a period of 3 months for acceptance from the date of tender opening. For any extension in validity required, purchaser shall seek in writing, the same from the bidder.

4. EVALUATION CRITERIA:

- (i) Pre Qualification bid / Techno-commercial bid shall be opened together and however, the Techno-commercial bid of pre-qualified bidder who meets the eligibility criteria shall be scrutinised and evaluated by the competent committee/ authority with reference to the parameters prescribed in the tender document. Subsequently, in the second stage the financial bids of only technically acceptable offers as decided in first stage shall be opened for further scrutiny and evaluation. Intimation regarding opening of financial bids shall be given to acceptable tenderers to enable them to attend the financial bid opening, if they so desire.

(ii) The method of evaluation of bidder for awarding the Contract shall be on consolidated grand total offered by the bidder and will be decided taking into consideration of the total offered price for delivery up to BNPM, Mysore excluding GST.

5. Parallel Contract:

BNPM reserves its rights to conclude Paralle contracts, with more than one bidder (for the same tender). The bidder firms can quote for the full quantity and the tender would be awarded accordingly if found L1. The firms should not quote for less than 25% of the tendered quantity; otherwise their offer would be considered as unresponsive. The lowest bidder L1 shall be awarded atleast 70% of the total contract value or his spare supply capacity, whichever is lower. The ratio of splitting given above is approximate and may be subject to limitation of order quantity.

For the rest of the contract quantity the lowest rates accepted will be counter offered to L2 party. On acceptance of the counter offer, order will be placed on L2 party for 30% of the proposed quantity / value of the spare supply capacity of the L2 bidder, whichever is lower, and so on to other tenderers. In case of non-acceptance of counter offer by L2 party, similar offer shall be given to L3 & L4 and so on respectively to match L1 rates. In case L2, L3, L4 do not match with L1 rates, order for entire quantity shall be placed on L 1 bidder itself. However, the competent authority would have the discretion to reject tenders above a particular price considered reasonable, though the required quantity may not be available upto the reasonable price.

6. Fall Clause:

If the contractor reduces its price or sells or even offers to sell the offered goods, following conditions of sale similar to those of the contract, at a price lower than the contract price, to any person or organization during the currency of the contract, the contract price will be automatically reduced with effect from that date for all the subsequent supplies under the contract and the contract amended accordingly. Any violation of the fall clause would be considered a serious misdemeanour under clause 44 of the GIT and action, as appropriate, would be taken as per provision of that clause.

7. Corrigendum/ Addendum, if any, including clarifications provided during pre-bid meeting shall be hosted on Company's website (www.tenderwizard.com/BNP) and (www.bnpmindia.com) only.
8. The Company discourages the engagement of agents for brokering contracts and hence intending bidders are requested to take note of the above that engagement of agents for brokering contracts may result in dis-qualification.

Following clauses in GIT are not applicable.

| SI No | GIT Clause No | Topic | Substitution / Replaced by |
|-------|------------------------------------|--|----------------------------|
| 1. | 8.0 | Pre-Bid Meeting | Not Applicable |
| 2. | 12.3 & 12.6 | Tender Prices | Not Applicable |
| 3. | 13 | Indian Agent | Not Applicable |
| 4. | 14.3, 14.4, 14.5, 14.6, 14.7 | Firm Price/Variable Price | Not Applicable |
| 5. | 32 | Conversion of tender currencies to Indian rupees | Not Applicable |
| 6. | 33 | Schedule wise evaluation | Not Applicable |
| 7. | 50 | Rate Contract Tenders | Not Applicable |
| 8. | 52 | Tenders involving sampleq | Not Applicable |
| 9. | 53 | Expression of Interest (EOI) Tenders | Not Applicable |
| 10. | 54 | Tenders for Disposal of Scrap | Not Applicable |
| 11. | 55 | Development and indigenization Tenders | Not Applicable |

Section IV: General Conditions of Contract (GCC)

This section-IV shall be downloaded from website: www.bnpmindia.com under the section %Corporate Actions+ and signed & stamped and submitted along with the Techno-Commercial Bid . Part II as acceptance of terms and conditions. ***(Offer without the copies of section-IV shall liable to be rejected)***



The following Special Conditions of Contract (SCC) will apply for this purchase. The corresponding clauses of General Conditions of Contract (GCC) relating to the SCC stipulations have also been incorporated below. These Special Conditions will modify/substitute/supplement the corresponding (GCC) clauses.

Whenever there is any conflict between the provision in the GCC and that in the SCC, the provision contained in the SCC shall prevail.

(Clauses of GCC listed below include a possibility for variation in their provisions through SCC. There could be other clauses in SCC as deemed fit)

| SI No | GCC Clause No | Topic | Substitution/ Replaced by |
|-------|----------------------------------|---------------------------------|---------------------------|
| 1 | 10 | Terms of Delivery | 1 |
| 2 | 22, 22.1, 22.2, 22.3, 22.4, 22.6 | Terms and Mode of Payments | 2 |
| 3 | 23.1,23.2 | Delay in Supplier's Performance | 3 |
| 4 | 16 | Warranty | Not Applicable |
| 5 | 11.3 | Transportation of Goods | Not Applicable |
| 6 | 13 | Spare Parts | Not Applicable |
| 7 | 36 | Integrity Pact | Not Applicable |

Following clauses in GCC are not applicable

| | | | |
|----|------|-------------------------|----------------|
| 9 | 11.3 | Transportation of Goods | Not Applicable |
| 10 | 13 | Spare Parts | Not Applicable |
| 11 | 36 | Integrity Pact | Not Applicable |

1. Delivery Period:

(i) Delivery shall be made in staggered manner as per delivery schedule finalised at the time of Award of Contract with the successful bidder.

(ii) It is responsibility of the supplier to arrange transportation and supply the material on FOR Destination basis. BNPMIPL requires material on **FOR site office, Note Mudran Nagar, Mysore basis only**. The quoted price should be inclusive of Transit Insurance.

2. Terms and Mode of Payments

(i) 90% of invoice value on receipt and acceptance of goods by the consignee at destination and on production of all required documents by the supplier.

(ii) 10% within 60 days from the date of receipt of goods by the consignee at destination.



Payments to suppliers shall be made by account payee cheque or through ECS in INR only.

3. Security Deposit:

Within twenty one days after the issue of purchase order/LOI by BNPM, the supplier shall furnish security deposit to BNPM for an amount equal to ten percent of the total value of the purchase order, valid upto 60 days after the date of completion of all contractual obligations by the supplier. Clause No. 6 of GCC refers in this regard.

4. Payment of CGST, SGST, IGST & UTGST related clause:

The suppliers are required to adhere the following procedure in order to honour the payment against CGST, SGST, IGST & UTGST in the invoice:

- i. An invoice issued by the supplier of goods or services or both should be in accordance with the provisions of section 31 of the CGST Act and should contain all the prescribed informations in accordance with Chapter VI of CGST Rules, 2017;
- ii. A debit note issued if any, by a supplier should be in accordance with the provisions of section 34 of the CGST Act;
- iii. The supplier should mandatorily upload the aforementioned documents in GSTR -1, details of outward supplies of goods or services within the prescribed time under GST Act;
- iv. The supplier should provide the relevant documents to confirm the tax charged on the invoice has been paid to the credit of government after adjusting with ITC if any.

Notwithstanding above, the supplier should provide indemnification as follows:
 In the event of non-compliances with respect to GST Act and Rules by the supplier, the purchaser is allowed to adjust the GST amount from retention amount (either in BG or in Cash) held by the company. If no amount is available for recovery, the supplier will refund the GST liability within 10 days from the date of GST reversal in GSTRN+

The above requirements are mandatory to claim any GST liability, failing which, the GST liability will not be paid/reimbursed/accepted.

5. Delay in supplier's performance

(i) Delivery Period:

In the event of an order, you shall be in position to start supplies within short notice and dispatches are to be effected as per delivery schedule given by BNPM from time to time.

(ii) Delay or Non Delivery:

Time is essence of the contract and completion of delivery dates agreed to are binding on the seller. In the event the seller is not able to supply as per the delivery schedules given by BNPM, Purchaser will have a right either to cancel the order without prejudice to any other rights or to make purchase from an alternate source at the risk and cost of the seller.



ISSUE
R0

In case of rejection and failure of replace goods, the order will be treated as incomplete and we may cancel the order and will arrange to purchase the goods from elsewhere at Bidder's risk and cost and the purchase order/LOI on you will be cancelled and action taken as per the order terms.

6. Vendor Performance:

Vendor shall be evaluated for their performance. The performance shall be based on timeliness of deliveries, quality of the material supplied, technical support, quality of after-sales service if any, replacement of the defective material if any, responsiveness etc.

Based on the above criteria, the vendor shall be rated in category %A+, %B+ & %C+. The vendor with rating %C+ shall be disqualified/debarred from participating in the tender for certain period.

7. Liquidated Damages

Delivery and completion dates are binding on the vendor and no variation of delivery & completion dates can be permitted except with prior written permission from the purchaser.

If the supplier fails to deliver any or all of the goods or fails to perform the services within the time frame(s) incorporated in the contract, BNPM shall, without prejudice to other rights and remedies available to BNPM under the contract, deduct from the contract price, as liquidated damages, a sum equivalent to the 0.5% (Half) percent of the delivered price of the delayed goods and/ or services for each week of delay or part thereof until actual delivery or performance, subject to a maximum deduction of the 10% of the delayed goods' or services' contract price(s). During the above mentioned delayed period of supply and/ or performance, the conditions incorporated under GCC sub-clause 23.4 shall also apply.

8. Price:

Bidder should quote the price taking into consideration of all taxes & duties. Supplier shall be entirely responsible for all taxes, duties, fees, levies etc. incurred until delivery of the contracted goods to BNPM.

9. Risk Purchase Clause:

If the Seller fails to abide by the terms and conditions of this agreement, or fails to supply the material as per the delivery schedule or any time repudiates the contract, the purchaser will have the right to

- a) Appropriate the Security Deposit (by invoking the Bank guarantee) deposited by the seller as per clause 6.0 of GCC and procure the tender item from other agencies at the risk and cost of the seller
- b) The cost difference between the alternative arrangement and seller's tendered value will be recovered from the seller along with the other incidental charges.

In case of procurement through alternative sources, and if procurement price is lower, no benefit on this account will be passed on to the seller.



10. Fore-Closure Clause:

If at any time during the continuation of this contract, the use of material ordered in this contract is completely banned or due to drastic change in Government policy its use as, raw material is discontinued or is declared hazardous to public health or cause rising to civil commotion, epidemics, wide-spread strikes and 21 days notice of such eventualities is given by purchaser to the seller, the seller without any right to enforce the contract, will agree to the fore-close the performance of balance portion of this contract and in that event no claim for damages or loss will be lodged against the purchaser.

11. Materials not meeting our specification will be rejected outright and the rejected material shall be taken back within 7 days at the cost and risk of the supplier and replacement should be made within 7 days from the date of intimation. No payment shall be made for rejected item.

12. Items shall be despatched only after obtaining despatch clearance from BNPM



LOR**BANK NOTE PAPER MILL PRIVATE LIMITED**

SECTION: VI

LIST OF REQUIREMENTS

SHEET 1 OF 1

| Schedule No. | Brief Description of Goods/ Services | **Approx. Annual Requirement | **Approx. Monthly Requirement | Earnest Money Deposit |
|--------------|--|------------------------------|-------------------------------|--|
| 1 | Supply of Angle Board (Edge Protector) | 175000 | 15,000/- | 33,000/- (INR Thirty Three Thousand only) |

**** Bidders to note that the quantity may vary $\pm 30\%$.**

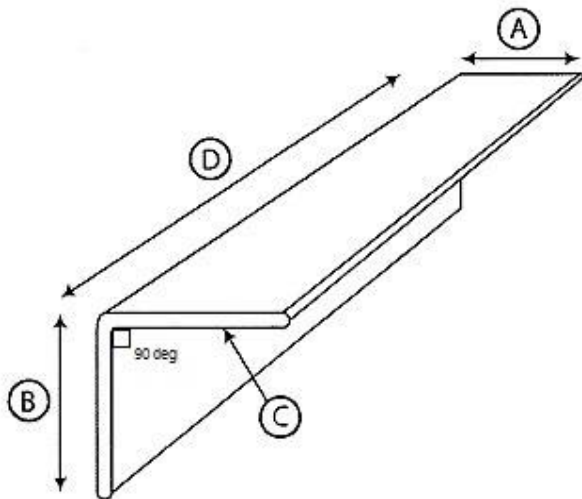
Place of Delivery:

Bank Note Paper Mill India Private Limited
Note Mudran Nagar
Mysore-570003

ISSUE
R0

SPECIFICATION FOR ANGLE BOARD (EDGE PROTECTOR)

| Sl. No. | Particulars | Unit | Requirement |
|---------|-------------|------|-------------------------|
| 1. | Material | | Paper Board |
| 2. | Type | | Angle Board |
| 3. | Size | mm | 50 * 50 * 3 (thickness) |
| 4. | Length | cm | 95 |



| |
|-----------|
| A = 50 mm |
| B = 50 mm |
| C = 3 mm |
| D = 95 cm |

- i. Quality control requirements must be in conformance with the technical specification mentioned in tender.
- ii. BNPM decision with regard to the quality of the material and workmanship will be final and binding.
- iii. Materials not meeting our specification will be rejected outright and the rejected material shall be taken back within 7 days at the cost and risk of the supplier and replacement should be made within 7 days from the date of intimation. No payment shall be made for rejected item.
- iv. Items shall be despatched only after obtaining despatch clearance from BNPM



The pre-qualification criteria for the same are given as under:

Individual/ firm/ company/ corporate other than limited company intending to bid should be bonafide, experienced, technically competent, resourceful and financially sound to carry out the assigned order.

The bidder should be:-

- a) Registered under GST.
- b) Having valid permanent Income Tax A/c No. as allotted by the Income Tax Authority of Government of India.
- c) Not blacklisted/ debarred by BNPM/ Bharatiya Reserve Bank Note Mudran (P) Limited (BRBNMPL) / Security Printing & Minting Corporation of India Limited (SPMCIL) or any Govt. Departments and

d) **The detailed qualifying criteria are furnished below:**

1) **Experience & Past Performance:** Bidder should have manufactured / supplied 52,500 Nos. of Angle boards in any one year to any industries during last five years period ending 31-12-2017.

2) **Financial Standing:-**

(i) Bidder Firms should not have suffered any financial loss for more than one year during the last three years period ending 31.03.2017.

(ii) The net worth of the firm should not have eroded by more than 30% in the last three years period ending 31.03.2017. The networth of the firm should not be negative.

(iii) Average annual turnover of the bidder firm during last three years period ending 31-03-2017 should be more than Rs.5,00,000/-(Rupees Five Lakhs Only).

(Bidder shall qualify all the i.e., technical, financial and other pre-qualification criteria)

Note -1:

All experience, past performance and capacity/ capability related/ data should be certified by the authorised signatory of the bidder firm. The credentials regarding experience and past performance to the extent required as per eligibility criteria submitted by bidder may be verified from the parties for whom work has been done.

Scanned Documents to be submitted in support of Pre-qualification Criteria

The following documents should be submitted by the firm to prove the pre-qualification criteria.

- a) Company's Profile including details along with copy of following documents:
 - a) Certificate of Incorporation/ Registration
 - b) Constitution of business, in case of business in individual name
 - c) Partnership deed , in case of partnership
 - d) Memorandum of Association and Articles of Association, in case of Limited company
 - e) Memorandum of Association by corporate other than Limited company
- b) In support of technical standing copy of purchase order/work order/agreement and/ or work completion certificate issued by competent authority of the customer duly certified by authorised signatory.

QC**BANK NOTE PAPER MILL INDIA PRIVATE LIMITED**

SECTION: IX

QUALIFICATION/ELIGIBILITY CRITERIA

SHEET 2 OF 2

- c) In support of financial standing copies of audited balance sheets and Profit & Loss account should be certified by authorised signatory. In case of unaudited balance sheet, same should be certified by certified accountant e.g. Chartered Accounts (CA) in India and Certified Public Accountant/ Chartered Accountants of other countries.
- d) Declaration that the firm has not been blacklisted/ debarred by BNPMIPL/ BRBNMPL /SPMCIL or any Govt. Departments duly signed by authorised signatory. (Annexure I)
- e) Compliance Format (Annexure II)
- f) Copies of PAN, GST etc. to be submitted along with the bid.
- g) Format for the annexures indicated in the preceding paragraphs are available in section XX which the bidder may refer to.
- h) Any other relevant document the firm wishes to submit

Bidder to furnish stipulated documents in support of qualifying criteria. Non-submission or incomplete submission of documents may lead to rejection of offer.



TF

BANK NOTE PAPER MILL INDIA PRIVATE LIMITED

SECTION: X

(ACCEPTANCE OF TERMS & CONDITIONS)

SHEET 1 OF 1

To

Date _____

Bank Note Paper Mill India Private Limited
Administrative Building, Entry Gate 1,
Paper Mill Compound,
Note Mudran Nagar,
Mysore - 570003

Ref: Your Tender document No.....dated.....

We, the undersigned have examined the above mentioned tender enquiry document, including amendment No. -----, dated ----- (if any), the receipt of which is hereby confirmed. We now offer to supply and deliver..... (description of goods and services) in conformity with your above referred document for the sum as shown in the price schedule(s), attached herewith and made part of this tender.

If our tender is accepted, we undertake to supply the goods and perform the services as mentioned above, in accordance with the delivery schedule specified in the List of Requirements.

We further confirm that, if our tender is accepted, we shall provide you with a performance security of required amount in an acceptable form in terms of GCC clause 6, read with modification, if any, in Section V- "Special Conditions of Contract", for due performance of the contract.

We agree to keep our tender valid for acceptance for a period up to 03 months, as required in the GIT clause 19, read with modification, if any in Section-III -"Special Instructions to Tenderers" or for subsequently extended period, if any, agreed to by us. We also accordingly confirm to abide by this tender up to the aforesaid period and this tender may be accepted any time before the expiry of the aforesaid period. We further confirm that, until a formal contract is executed, this tender read with your written acceptance thereof within the aforesaid period shall constitute a binding contract between us.

We further understand that you are not bound to accept the lowest or any tender you may receive against your above-referred tender enquiry.

(Signature with date)

(Name and designation)

Duly authorized to sign tender for and on behalf of

Bidder shall use this covering letter while submitting the offer.



SP

BANK NOTE PAPER MILL INDIA PRIVATE LIMITED

SECTION XI

SCHEDULE OF PRICE

SHEET 1 OF 1

SCHEDULE OF PRICE

Note:

Prices are to be quoted in the price bid format given in the e-tender website (www.tenderwizard.com/BNP)



The tenderer should furnish specific answers to all the questions/ issues mentioned below. In case a question/ issue does not apply to a tenderer, the same should be answered with the remark %not applicable+.

Wherever necessary and applicable, the tenderer shall enclose certified copy as documentary proof/ evidence to substantiate the corresponding statement.

In case a tenderer furnishes a wrong or evasive answer against any of the under mentioned question// issues, its tender will be liable to be ignored.

- 1. Brief description of goods and services offered:
- 2. Offer is valid for acceptance up to 0 0 0 0 0 0 0 0 0 0 ..
- 3. Your permanent income tax A/c no. as allotted by the Income Tax Authority of Government of India
(Please attach certified copy of your latest/ current Income Tax clearance certificate issued by the above authority)
- 4. Status:
 - a) Are you currently registered with the Directorate General of Supplies & Disposals (DGS&D), New Delhi, and/ or the present BNPMIPL and/ or the Directorate of Industries of the concerned State Government for the goods quoted? If so, indicate the date upto which you are registered and whether there is any monetary limit imposed on your registration.
 - b) Are you currently registered under the Indian Companies Act, 1956 or any other similar Act?
(Please attach certified copy (s) of your registration status etc. in case your answer (s) to above queries is in affirmative.
- 5. Please indicate name & full address of our Banker(s)
- 6. Please state whether business dealings with you currently stand suspended/ banned by any Ministry/ Dept of Government of India or by any State Govt.

0 0 0 0 0 0 0 0 0 0 0 0 .

0 0 0 0 0 0 0 0 0 0 0 0 .

(Signature with date)

(Full name, Designation & address of the person duly authorised sign on behalf of the tenderer)

For and on behalf of

0 0 0 0 0 0 0 0 0 0 0 0 ..

0 0 0 0 0 0 0 0 0 0 0 0 ..

(Name, address and stamp of the tendering firm)

ISSUE
R0



**BG-
EMD**

BANK NOTE PAPER MILL INDIA PRIVATE LIMITED

SECTION: XIII

BANK GUARANTEE FORM FOR EMD

SHEET 1 OF 1

NOT APPLICABLE TO THIS TENDER DOCUMENT.



MAF

BANK NOTE PAPER MILL INDIA PRIVATE LIMITED

SECTION: XIV

MANUFACTURER'S AUTHORIZATION FORM

SHEET 1 OF 1

NOT APPLICABLE TO THIS TENDER DOCUMENT



BG-PS

BANK NOTE PAPER MILL INDIA PRIVATE LIMITED

SECTION: XV

BANK GUARANTEE FORM FOR PERFORMANCE SECURITY

SHEET 1 OF 1

BANK GUARANTEE FORM FOR PERFORMANCE SECURITY

o o o o o o o o .. (Insert: Bank's Name, and Address of Issuing Branch or Office)

Beneficiary:

Bank Note Paper Mill India Private Limited
Administrative Building, Entry Gate 1,
Paper Mill Compound, Note Mudran Nagar,
Mysore - 570003

Date: o o

Performance Guarantee No.:

WHEREAS.....(name and address of the supplier) (hereinafter called "the supplier") has undertaken, in pursuance of LOI (Letter of Intent) no..... dated to supply (description of goods and services) (herein after called "the contract").

AND WHEREAS it has been stipulated by you in the said LOI that the supplier shall furnish you with a bank guarantee by a scheduled commercial bank recognized by you for the sum specified therein as security for compliance with its obligations in accordance with the LOI;

AND WHEREAS we have agreed to give the supplier such a bank guarantee;

NOW THEREFORE we hereby affirm that we are guarantors and responsible to you, on behalf of the supplier, up to a total of (amount of the guarantee in words and figures), and we undertake to pay you, upon your first written demand declaring the supplier to be in default under the contract and without cavil or argument, any sum or sums within the limits of (amount of guarantee) as aforesaid, without your needing to prove or to show grounds or reasons for your demand or the sum specified therein.

We hereby waive the necessity of your demanding the said debt from the supplier before presenting us with the demand. We further agree that no change or addition to or other modification of the terms of the contract to be performed thereunder or of any of the contract documents which may be made between you and the supplier shall in any way release us from any liability under this guarantee and we hereby waive notice of any such change, addition or modification.

We undertake to pay Bank Note Paper Mill India Private Limited up to the above amount upon receipt of its first written demand, without Bank Note Paper Mill India Private Limited having to substantiate its demand.

This guarantee will remain in force for a period of sixty days after the currency of this contract and any demand in respect thereof should reach the Bank not later than the above date.

o o o o o o o o o o o o o o o o
(Signature of the authorized officer of the Bank)
Name, authorisation/ signature no. and designation of the officer
Seal, name & address of the Bank and address of the Branch



CF

BANK NOTE PAPER MILL INDIA PRIVATE LIMITED

SECTION: XVI

CONTRACT FORM

SHEET 1 OF 1

NOT APPLICABLE TO THS TENDER DOCUMENT



| | | |
|------------|--|---------------|
| | BANK NOTE PAPER MILL INDIA PRIVATE LIMITED | SECTION: XVII |
| LOA | LETTER OF AUTHORITY FOR ATTENDING A BID OPENING | SHEET 1 OF 1 |

NOT APPLICABLE TO THIS TENDER DOCUMENT



SA

BANK NOTE PAPER MILL INDIA PRIVATE LIMITED

SECTION: XVIII

SHIPPING ARRANGEMENTS FOR LINER CARGOES

SHEET 1 OF 1

NOT APPLICABLE TO THIS TENDER DOCUMENT



PB

BANK NOTE PAPER MILL INDIA PRIVATE LIMITED

SECTION:XIX

PROFORMA OF BILLS FOR PAYMENTS

SHEET 1 OF 1

NOT APPLICABLE TO THIS TENDER DOCUMENT



**Instructions to the Applicants for Furnishing Information
As A Part of Pre-Qualifications Tender Notice**

1. Intending applicants are required to upload their full bio-data giving details about their organization, location of manufacturing units, experience, technical personnel in their organization, spare capacity competence and adequate evidence of their financial standing etc. in the enclosed format which will be kept confidential.
2. The application shall be signed by person / persons on behalf of the organization having necessary authorization / Power of Attorney to do so.
3. If the space in the proforma is insufficient for furnishing full details, such information may be supplemented on separate sheets of paper stating therein the part of the proforma and serial number. Separate sheets shall be used for each part.
4. Applications containing false and /or inadequate information are liable for rejection.



APQ

BANK NOTE INDIA PAPER MILL PRIVATE LIMITED

SECTION: XX

APPLICATION- PRE-QUALIFICATION

SHEET 2 OF 5

To:

Managing Director
Bank Note Paper Mill India Private Limited
Administrative Building, Entry Gate 1,
Paper Mill Compound,
Note Mudran Nagar,
Mysore - 570003

I / We have read and understood the Pre-qualification tender notice and instructions to the applicants and apply herewith for pre-qualification. I / We furnish the information in the prescribed format including supplementary sheets from _____ for your consideration. I/We do declare that the information furnished is correct and true to the best of my/our knowledge and belief.

Yours faithfully

Signature _____

Name: _____

Designation _____

Address _____

Seal



BASIC INFORMATION

| | | |
|----|---|-------------------|
| 1 | Name of the applicant / organization and address of the registered office/business office. | |
| 2 | (a) Whether bidder is OEM (b) Address of the manufacturing facility in India (c) Annual Capacity of manufacturing facility | Yes / No |
| 3 | Type of the organization (whether Sole Proprietorship / Partnership / Private Limited / Limited or Cooperative Body etc). | |
| 4 | Name of the Proprietor / Partners / Directors of the Organization / Firm as the case may be. | (a) (b) (c) |
| 5 | Details of Registration . (whether Partnership firm, Company etc) . Name of Registering Authority, Date, Registration No etc. | |
| 6 | Whether registered with Government / Semi-Government / Municipal Authorities or any other Public Organization as a vendor and if yes provide details thereof. | |
| 8 | Experience in the field (Enclose documentary evidence) | _____ Years |
| 9 | Address of office through which the proposed work will be handled and the name and designation of the Officer-in-charge. | |
| 10 | Names of Bankers and their full addresses | |
| 11 | Whether any civil suit / litigation arisen in the contracts executed during the last five years / being executed now. If yes, please furnish the details in the proforma given below. | |

| Sl. No | Name of the project and employer | Nature of work | Work Order No. and Date | Present stage of work | Value of contract | Brief details of litigation |
|--------|----------------------------------|----------------|-------------------------|-----------------------|-------------------|-----------------------------|
| 1 | | | | | | |
| 2 | | | | | | |
| 3 | | | | | | |
| 4 | | | | | | |

11. Details of Similar Works completed during last five years ending 31.12.2017.
Number of supplementary sheets attached.

| Sl No | Description of Supply | Name & Address of Customer | PO No./ Agreement No with Date | Qty of Supply | Delivery period |
|-------|-----------------------|----------------------------|--------------------------------|---------------|-----------------|
| 1 | | | | | |
| 2 | | | | | |
| 3 | | | | | |
| 4 | | | | | |
| 5 | | | | | |

(Enclose the Customer certificate/Documentary evidence duly attested by authorised signatory)

12. Financial Details

| Sl No | Financial Year | Average Annual Turn Over (Rs) | Profit (Rs)s | Loss (Rs) |
|-------|----------------|-------------------------------|--------------|-----------|
| 1 | 2016-17 | | | |
| 2 | 2015-16 | | | |
| 3 | 2014-15 | | | |

(Enclose the certified/Audited copy of Profit and loss Account and Balance sheet as documentary evidence)

13. Has the applicant been blacklisted/ debarred by BNPMIPL/ BRBNMPL /SPMCIL or any Govt. Departments. (Yes/NO)

(If yes please provide the details.)

Signature of the Applicant _____

Name-----

Designation-----

Date-----

Stamp of the Organization-----



APQ

BANK NOTE INDIA PAPER MILL PRIVATE LIMITED

SECTION: XX

DECLARATION

ANNEXURE- I
SHEET 1 OF 1

(To be submitted on the letterhead)

Tender No : BNPM/TEN/Angle Board/366/2017-18 dtd 24-01-2018

DECLARATION

We do hereby declare that we have not been blacklisted/ debarred by BNPMIPL/ BRBNMPL /SPMCIL or any Govt. Departments. The information provided above is correct and true to the best of my knowledge and belief. In case, at any time the information furnished is found to be false, you my disqualify/debar me/us as deemed fit.

Signature _____

Name-----

Designation-----

Date-----

Stamp of the Organization-----



APQ

BANK NOTE INDIA PAPER MILL PRIVATE LIMITED

SECTION: XX

DECLARATION

ANNEXURE- I
SHEET 1 OF 1

(To be submitted on the letterhead)

Tender No: BNPM/TEN/Angle Board/366/2017-18 dtd 24-01-2018

DECLARATION

We do hereby declare that we have read and understood all terms and conditions of tender document including GIT, SIT, GCC, SCC, Technical Specification, Quality Control Criteria and confirm to abide to those conditions without any counter conditions.

Signature _____

Name-----

Designation-----

Date-----

Stamp of the Organization-----



| SI No. | Description | Compliance |
|--------|--|---|
| 1 | Application as per format (Annexure) | Submitted/Not submitted |
| 2 | Company's Profile | Submitted |
| 3 | Details and location of manufacturing units | Provided/Not provided |
| 4 | Customer Certificate/Documentary evidence in support of Technical pre-qualification criteria (Duly certified by signatory authority) | Enclosed/Not Enclosed |
| 5 | Certified Copy of Audited Balance Sheet , Profit and loss accounts FY 2016-17 FY 2015-16 FY 2014-15 | Enclosed/Not Enclosed Enclosed/Not Enclosed Enclosed/Not Enclosed |
| 6 | Declaration that firm is not debarred/blacklisted (Annexure 1) | Enclosed/Not Enclosed |

Signature _____

Name-----

Designation-----

Date-----

Stamp of the Organization-----



ACW

BANK NOTE INDIA PAPER MILL PRIVATE LIMITED

SECTION XXI

ADDITIONAL CONDITIONS OF WORKS CONTRACT

SHEET 1 OF 1

NOT APPLICABLE TO THIS TENDER DOCUMENT



IP

BANK NOTE INDIA PAPER MILL PRIVATE LIMITED

ANNEXURE- XXII

INTEGRITY PACT

SHEET 1 OF 1

NOT APPLICABLE TO THIS TENDER DOCUMENT

